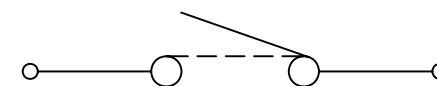
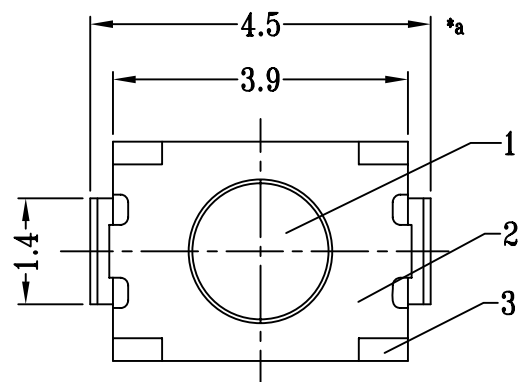
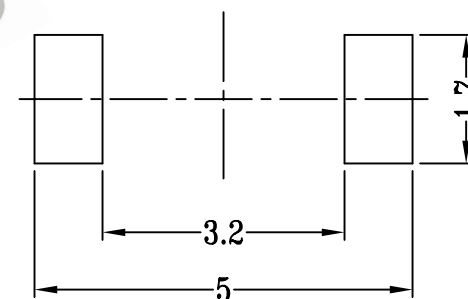
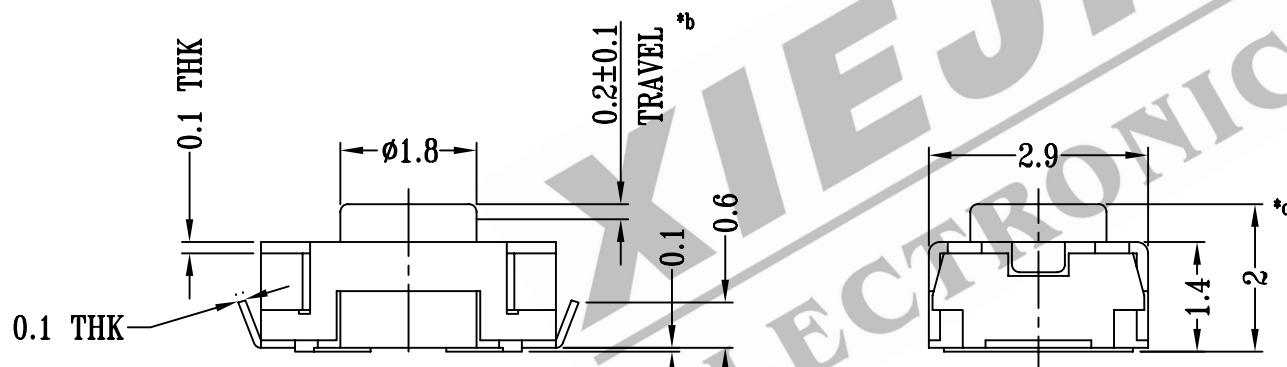


CAD FILE:



SCHEMATIC



P.C.B LAYOUT

注:带*表示关键尺寸(3个)

8					TOLERANCE	SHENZHEN XIEJIA ELECTRONICS CO.,LTD.				
7					UNLESS SPECIFIED					
6					WITHIN: 1.5±0.1mm					
5	SEAL PLATE	PET	1	CLEAR	OVER: 1.5±0.2mm	ISSUE	DATE	DESCRIPTIONS OF REVISION		APPD.
4	CONTACT	SUS	2	Ag CLAD	TITLE : TACT SWITCH		UNIT : mm	DRWG NO.: XJ-DR-TD85XU-00		
3	CASE	NYLON46/BRASS STRIP	1	BLACK/Ag PLATED OVER Ni PLATED	MODEL: TD-85XU		SCALE: 10:1	DWN.	ZHOUYU	2002-7-26
2	COVER	0.15mm SUS	1	WASHING	ALL MATERIALS MUST BE COMPLIANT TO ROHS			CHK'D	FANGYING	2002-7-26
1	KNOB	NYLON	1	BLACK				APPD.	KANGXINAN	2002-7-26
NO.	PARTS	MATERIALS	Q'TY	FINISH						